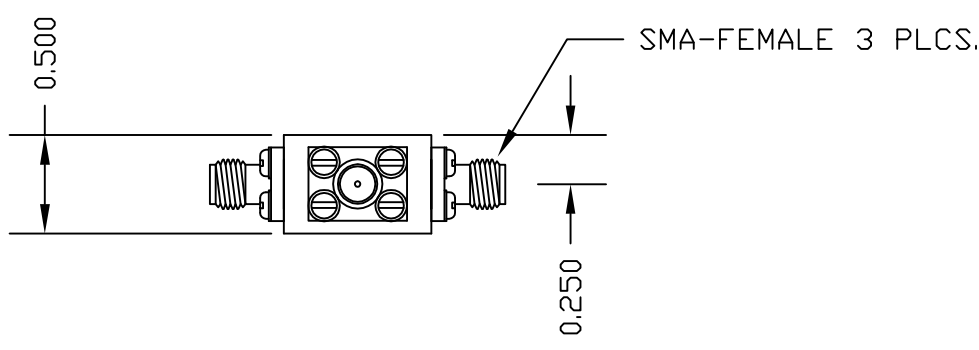
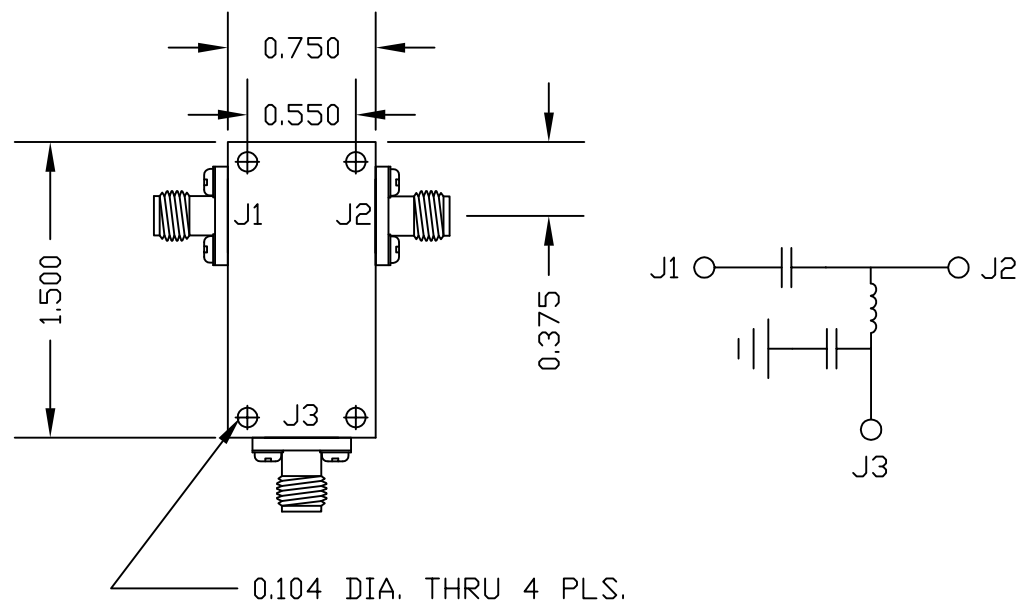



APPLICATION		REVISION			
NEXT ASSY	USED ON	LTR	DESCRIPTION	DATE	APPROVED



Specifications:
 Frequency Range: 1000 MHz to 8000 MHz
 Insertion Loss: 1.0 db Max.
 VSWR: 1.5:1 Max.
 Isolation: 30db Min.
 DC Current: 3 A Max. @ 50V Max.
 J3 Frequency Range: DC to 20 MHz Min.
 J3 to J2 Insertion Loss: 1.0 db Max.

UNLESS OTHERWISE SPECIFIED DIMENSIONS ARE IN INCHES TOLERANCES ARE: FRACTIONS DECIMALS ANGLES ± .XX ±.03 ± .XXX ±.01	CONTRACT NO.		 TAYLOR MICROWAVE, INC. 48 INDUSTRIAL WEST • CLIFTON, N.J. 07012			
	APPROVALS	DATE				
MATERIAL	DRAWN	J.B.	10/14	TITLE BIAS TEES		
	CHECKED					
FINISH GRAY PAINT	E.E.	B.S.	10/14	SIZE	CODE IDENT NO.	DRAWING NO.
	DO NOT SCALE DRAWING			A	OE3Y7	BT-A05
			SCALE	NONE	CAD 13	SHEET 1 OF 1